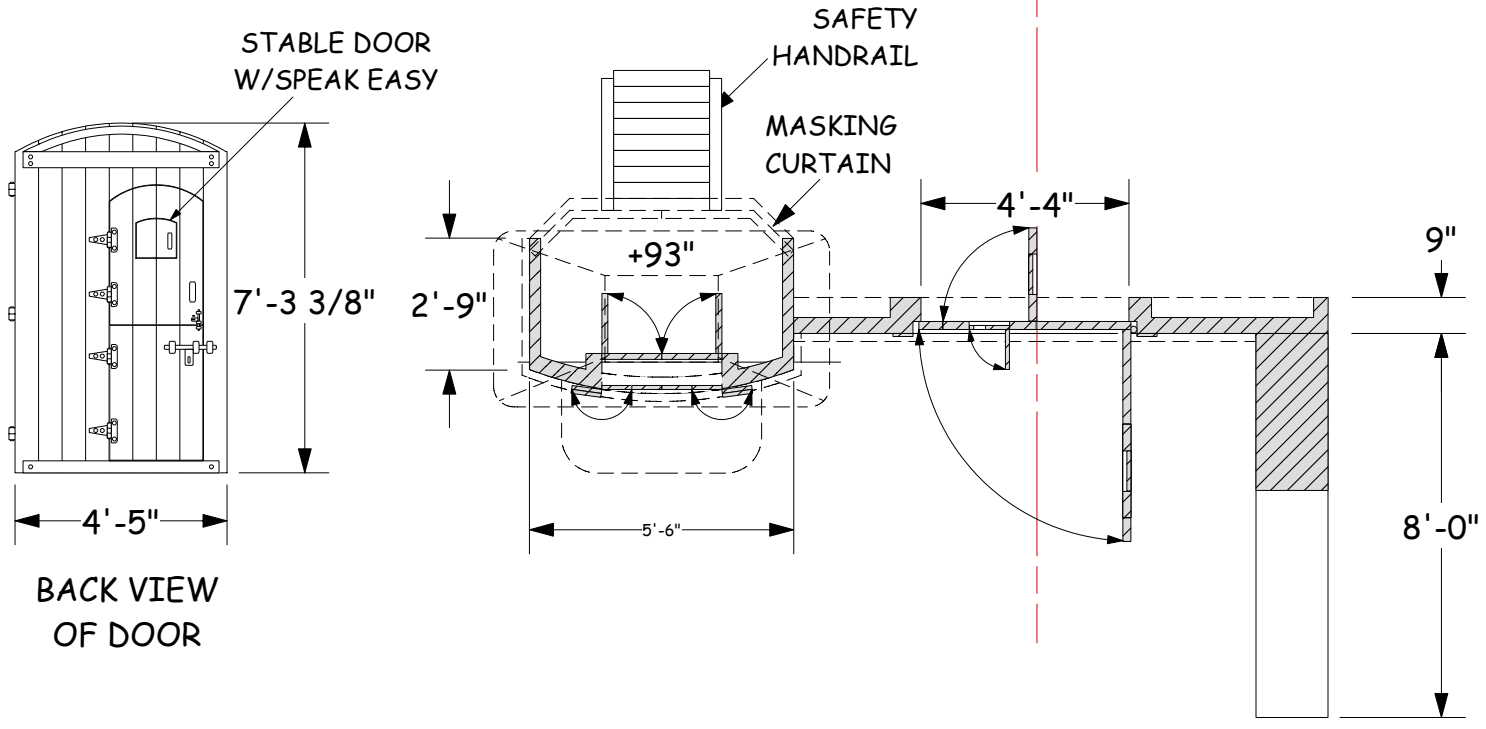


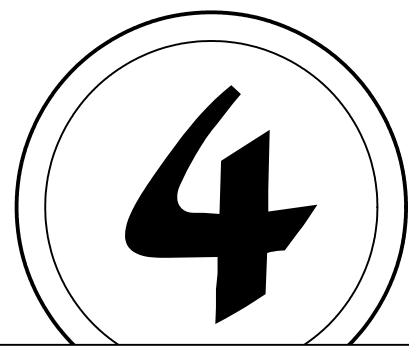
NOTE:
 ADD CROSSBAR LOCK TO SHUTTERS.
 BALCONY RAIL - KING ARCHITECTURE METALS:
 BALUSTER #45-1357
 BALUSTER #45-98-1
 ROOF SPIKE # 43-20



SURFACE TEXTURE SAMPLE



S.D. 4919
 SCENIC DESIGNER
 SIGNATURE *[Signature]*



THE SCHOOL FOR WIVES	
THE SHAKESPEARE THEATRE OF NEW JERSEY	
DIR: BRIAN CROWE DES: JOHN HOBBIE	
jmhobbie@yahoo.com 214 507 1849 www.johnhobbie.com	
SCALE: 1/4"	DATE: 18MAY09